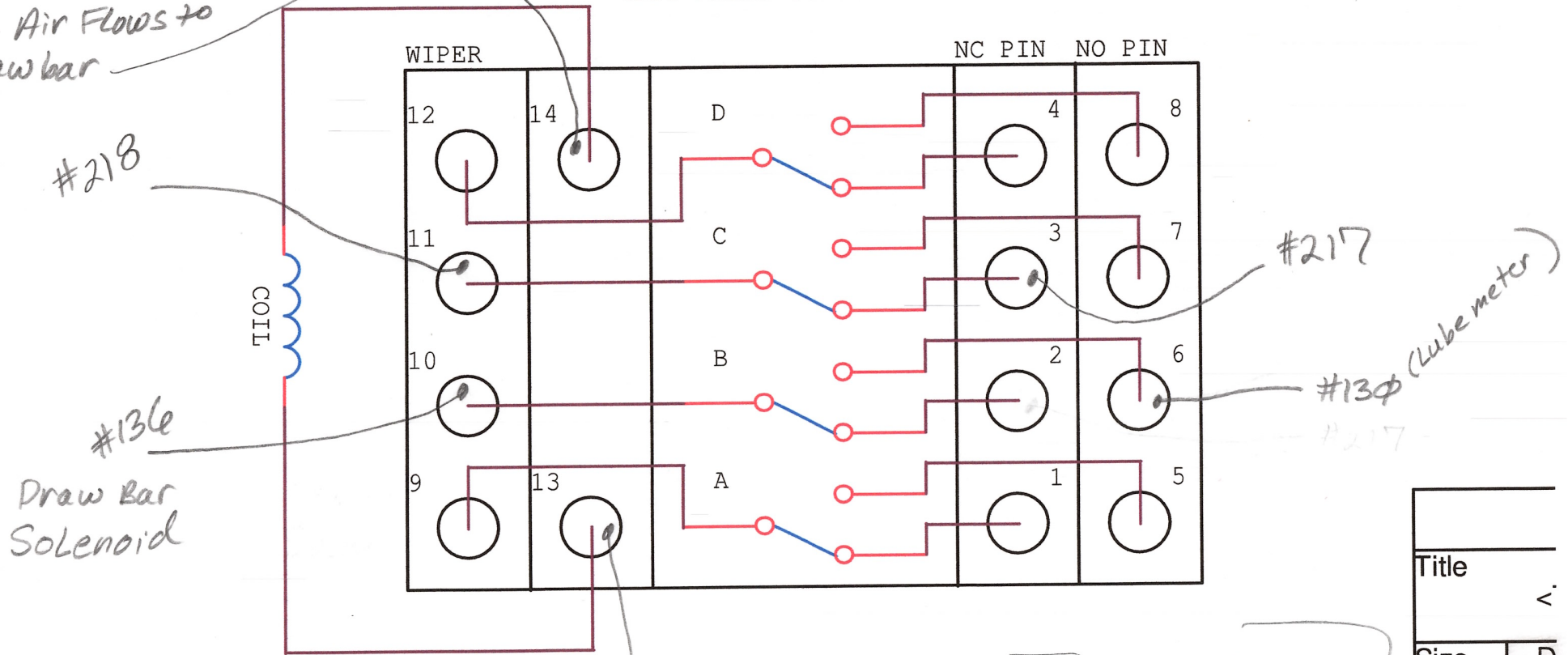


If +24VDC is Applied to #220 Here, Then The Air Flows to Drawbar

13CRE (Relay 13)

4PDT RELAY CONNECTIONS



#218

#136
Draw Bar Solenoid

#217

#136 (Lube meter)

(COM/GND) #4 - on Bus strip one white wire goes to old controller plug [222]

Relay #13
Relay ON when Drawbar is open

Title	
Size	D
C	<